

How to upgrade a HDD in a Sony x70 Series of DVD recorders

Note: This will most likely invalidate your warranty so be warned

This is a document to enable you to upgrade the HDD in your player to a larger capacity drive. To date I have used a 500Gb and a 1Tb Western Digital SATA drive in the unit without problems.

Tools required

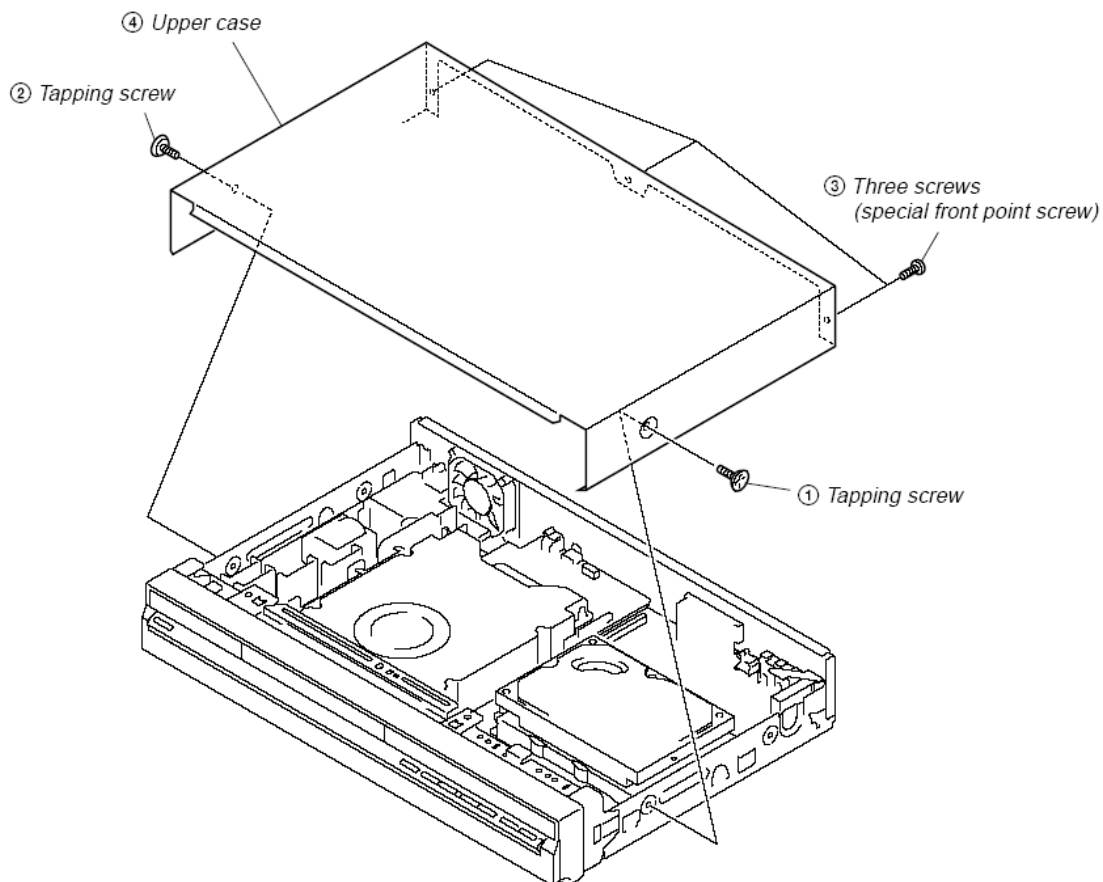
Sony Service remote J-6090-203-A cost me about Au\$ 28

Or alternatively use the CCF file found here

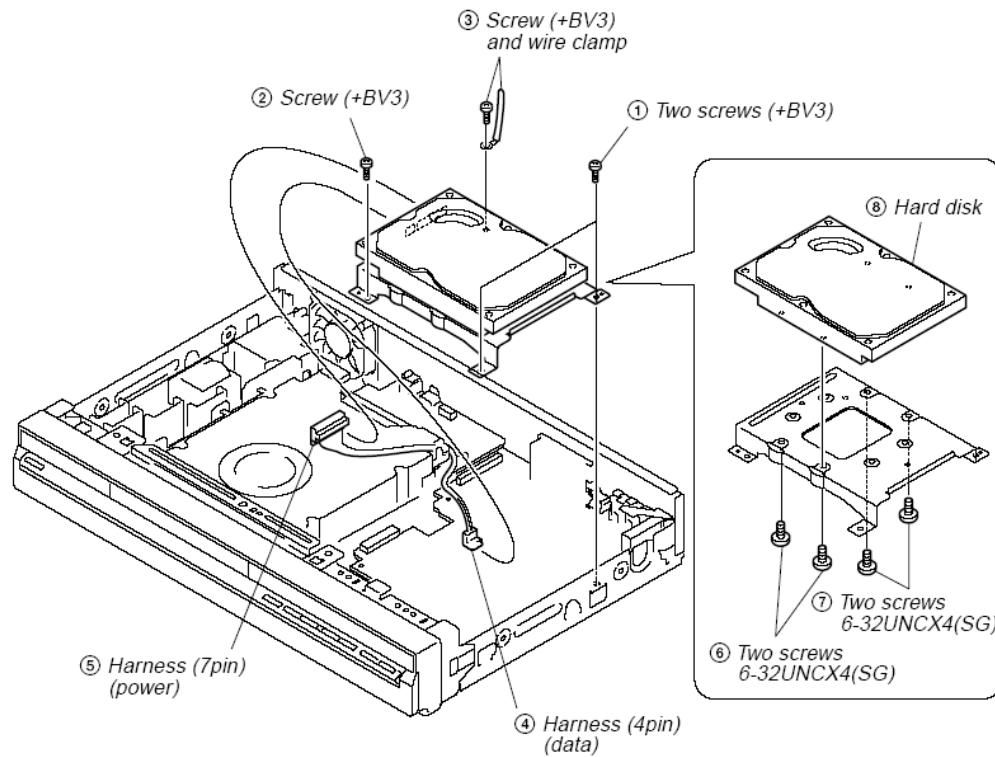
<http://www.avforums.com/forums/showpost.php?p=2511680&postcount=13> which I believe is the original Pioneer one

Before doing anything unplug the unit from the mains supply, we don't want to hear that a member has been electrocuted.

Step 1: Open the case by removing the 5 screws, 1 on each side and 3 on the rear.



Step 2: Remove the HDD drive holder and carefully remove the power and data cables from the HDD



Step 3: Remove the original drive and replace with the new one.

Step 4: Replace drive and reattach the data and power cables and secure using the 4 screws.

Step 5: Reinstall the top Cover.

Now plug the machine back to the mains supply, after pressing the power button you will get “E01” display in the fluorescent display. Don’t Panic!!!

Now power off the unit with the front power button and press “ESC” followed by “P.Run” on the service remote. The unit will now go into diagnostics mode for about 5 minutes; at the end of this process the fluorescent display will display “B Complete”.

Now power the unit back on again and check your title list, depending upon which drive you have installed you will see something like this

218 Hours SP for a 500 Gb HDD

433 Hours SP for a 1 Tb HDD